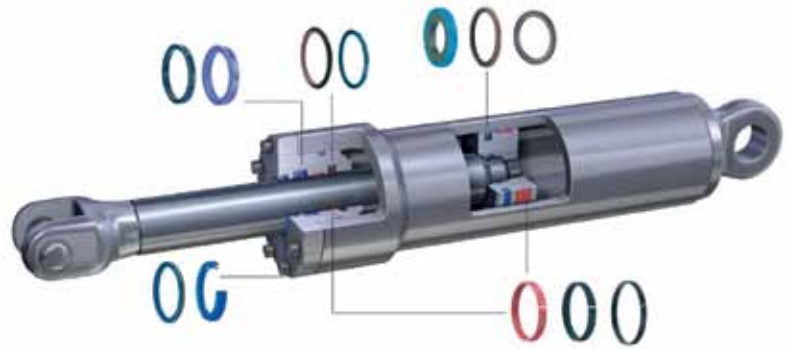


OTTO OLSEN



Product presentation

Otto Olsen is a privately owned company established in 1866. The turnover in 2013 was NOK 250 mill (€ 30 mill). Otto Olsen is the leading supplier of seals, gaskets, industrial rubber and engineered plastic. Otto Olsen has a workshop with CNC- and modern computerized machines, producing parts in very short time according to customers specifications.

Otto Olsen has a high competence and represents many of world leading producers. Otto Olsen is certified according to ISO 9001:2012.

Otto Olsen has many catalogues and these can be downloaded from www.oo.no, or we can send them to your address.



Products from own production

In addition to a large stock we also have our own production in Lillestrøm with 12 employees. From this production we can in short time deliver parts in a large range of rubber, engineered plastic, cellular foam materials, fiber materials and PTFE.

CNC-machines

- All kind of profiles can be produced
- No tool cost
- No minimum order quantity
- Very small tolerances
- High quality materials
- Metric and imperial sizes from 6 mm til 600 mm OD from stock. Larger sizes in 2-4 weeks
- Short delivery times



Flange gaskets

- All dimensions and geometries can be supplied, also according til customers drawings
- No minimum order quantity
- All materials
- Short delivery times



PTFE - coating

In our production we are able to coat all types of steel/ metal parts with PTFE. With this coating we achieve:

- Reduced friction
- Corrosion protection
- Non- stick
- Approved food quality coating

Seals - gaskets

- O-rings
- Oil Seals
 - Simmerings®
- V-seals
- Rod seals
- Piston seals
- Wipers
- Flange gaskets
- Braided packings
- Mechanical seals
- Spring energized seals
 - Omnilip®
 - Dynalip®
- Inflatable seals



Wheels and castors

Our range reaches from small wheels with 30 mm diameter to industrial castors with 10 tons load capacity.

We have wheels and castors for:

- Heavy transport material
- All kinds of trolleys
- Shopfitting
- Furniture and office chairs
- Hospital equipment etc.

Expansion joints

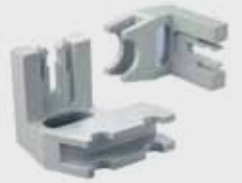
- German quality – German production
- With approval from DNV GL (Det Norske Veritas) and many other
- Standard sizes or special sizes
- Can also be supplied in PTFE and stainless steel





Engineered plastic

We deliver from stock finished parts, or as rods, tubes and sheets.



Cellular foam

Cellular foam is expanded from PE, PVDF, PA and rubber. On stock we have blocks and rolls in different densities, colors and with special properties. We have machines for splitting, CNC-routing, diecutting and laminating these materials.



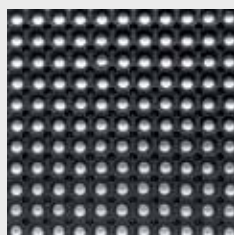
Rubber sheeting

We have in stock all standard materials, both with and without insertion.
We also supply cut gaskets, strips or to customers drawings.



Rubber Mats

We have a large stock of rubber mats for workstations.



Extruded profiles and hatch profiles

We have more than 1000 different profiles in stock in rubber, TPE and PVC. Our large stock includes sealing profiles, edge profiles, fenders, hatch profiles and protecting profiles.

Other profiles can be produced according to customers specification.



Moulded parts

We supply moulded parts in rubber and plastic, designed of or in agreement with our customers.



Absorbents

Otto Olsen AS is focused on safety in your working environment. We are specialized in emissions and spill control, with products that include absorbing mats, booms, pillows, granules, spill containment pallets for both 210 liter barrels and IBC container, etc.

We have on stock Oil Only, Universal and Haz-Mat absorbents.



Power transmission products

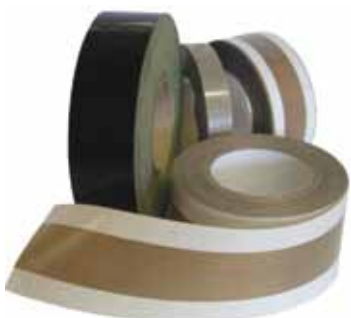
- V-belts and pulleys
- Timing belts and pulleys
- Roller chain, corrosion resistant chain, stainless steel chain, leaf chain
- Modular belts - Flat top/Table top
- Conveyor chains
- Sprockets, plate wheels
- Gear / motors
- Bearing, rod ends
- Couplings
- Conveyor belts



Liquid handling

We are a supplier of equipment for transportation, measuring, filtration and storage of oil, chemicals and other fluids.

Our biggest customers are The Norwegian army, the major oil company's etc. We are present in different areas like airports, depots, tank-/bulk cars, refineries, ships, gasoline stations, oil process-, petrochemical and food industry.



PTFE

PTFE- and zonetapes in all widths and configurations. Is supplied with or without adhesive tape.

Vibration isolators

- Wide range of rubber/metal parts, also with approvals from DNV GL (Det Norske Veritas)
- Buffers
- Machine feet
- Rubber/metal rails
- Bushes
- Ball joints
- Chock absorbers
- Conical rails



Lubricants

Wide range of special lubricants for offshore, maritime, railway and industrial use.



PTFE (Teflon®)

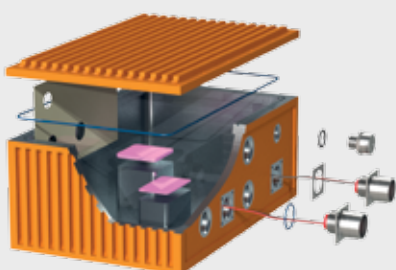
Otto Olsen AS is the only producer in Norway of PTFE and we produce rods, tubes and sheets.

- Reduce friction
- Corrosion protecting
- Non-stick
- Approved food quality coating

We have a large stock of PTFE (Teflon®) in Lillestrøm.

EMC – seals and gaskets for the electronic industry

Leading supplier of EMC shielding materials and conductive paints. We also deliver thermal conductive interface materials for the electronic industry.





Gas springs

Our complete range also includes traction and lockable gas springs which are also available in stainless steel.

Gas springs are used in several areas. They play an important role in connection with lifting, damping and stabilization of various applications. Examples of applications can be: doors, tables, hatches and hospital beds.

We also have a large stock of standard gas springs in Lillestrøm.



Components for commercial vehicle bodybuilders

- Locks
- Grab handles
- Hinges
- Loading ramps
- Mudguards
- Mudflaps



Plastic items

If you can't find exactly what you are looking for, we can make it for you.

We can offer a range which includes:

- Plugs, caps and adjustable feet
- Floor protectors, glides and spacers
- Hand knobs, locking levers and bolts
- Cable channel and grommets



OTTOLSEN

Postboks 44, 2001 Lillestrøm
Nesgata 19, 2004 Lillestrøm

Tlf.: 63 89 08 00
Faks: 63 89 08 99

post@oo.no
www.oo.no