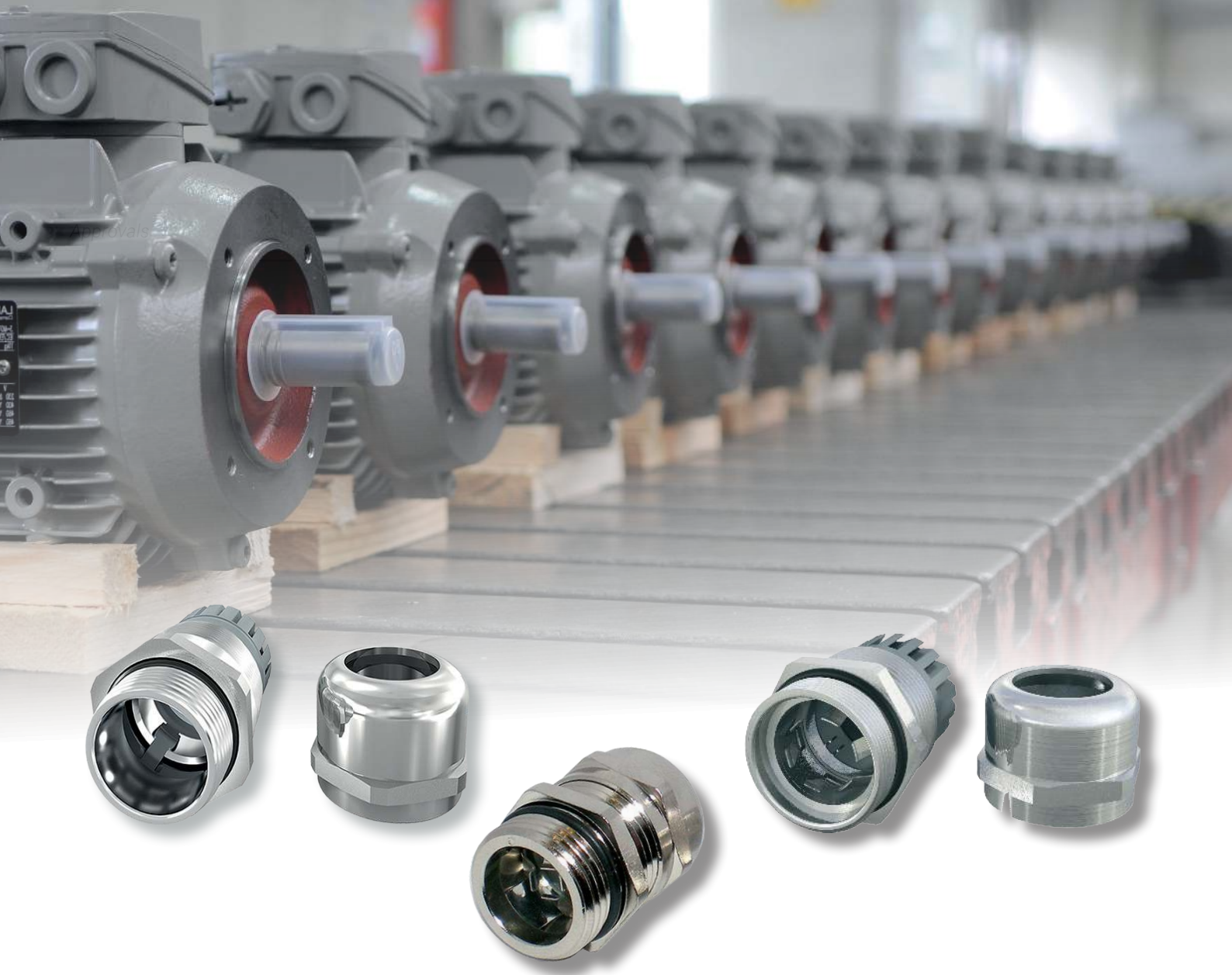


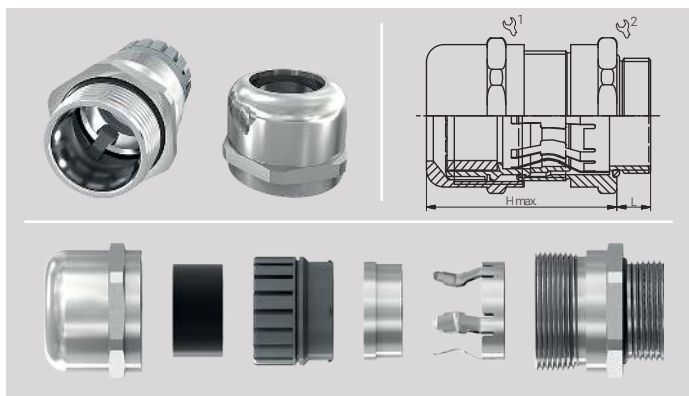
OTTOOLSEN



**EMC-nipler til
elektromotorer**

EURO-TOP EMV 4 / M

Material	Nickel Plated Brass
Sealing	Chloroprene
Clamping Insert	Polyamide 6
O-Ring	Perbunan
Operating Temperature	-40°C to +100°C intermittent -40°C to +150°C
Protection Class	IP66 / IP68 / IP69k
Note	EMC cable gland with patented, active contact system. Very easy and fast to assemble, - vibration tested and easy disassembling.




For specific conditions or limitations please see relevant product documentation.

Approvals

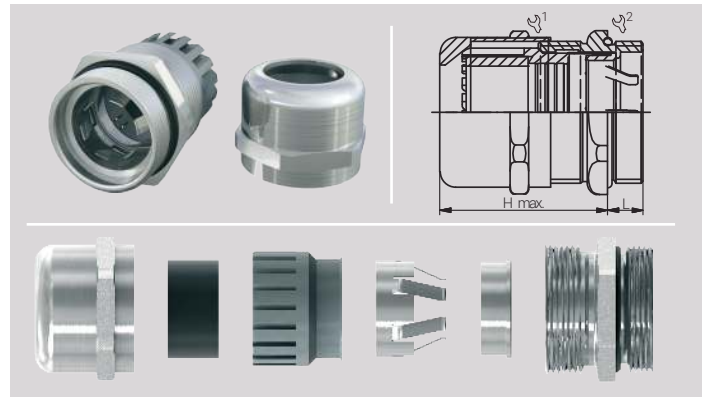


40039349 E199260 E199260 E-14047

Article	Entry Thread	Clamping Range (mm)		Shield Diameter (mm)		 1/2	L (mm)	H max. (mm)	VPE PU
		≥	≤	≥	≤				
1111788	M12x1.5	3.0	6.5	2.0	5.0	14/14	6.0	28.0	50
1111789	M16x1.5	5.0	10.0	3.5	8.0	20/20	6.0	33.0	50
1111790	M20x1.5	6.0	12.0	4.5	10.0	22/22	6.0	32.0	50
1111791	M20x1.5	7.5	14.0	5.5	11.5	24/24	8.0	40.0	50
1111792	M25x1.5	10.0	18.0	7.0	14.0	30/30	8.0	43.0	25
1111793	M32x1.5	16.0	25.0	12.0	20.0	40/40	9.0	53.0	10
1111794	M40x1.5	22.0	32.0	18.0	27.0	50/50	9.0	60.5	5
1111795	M50x1.5	30.0	38.0	26.0	34.0	58/58	9.0	73.0	5
1111796	M63x1.5	34.0	44.0	30.0	40.0	64/68	14.0	59.0	5
1111797	M63x1.5	37.0	53.0	33.0	49.0	75/75	10.0	72.0	5

PG and NPT on request.

Material	Nickel Plated Brass
Sealing	Chloroprene
Clamping Insert	Polyamide 6
O-Ring	Perbunan
Operating Temperature	-40°C to +100°C intermittent -40°C to +150°C
Protection Class	IP66 / IP68 / IP69
Note	EMC cable gland with patented, active contact system. Very easy and fast to assemble.



Approvals



Article	Entry Thread	Clamping Range (mm)		Shield Diameter (mm)		$\frac{1}{2}$	L (mm)	H max. (mm)	VPE PU
		≥	≤	≥	≤				

Standard Thread

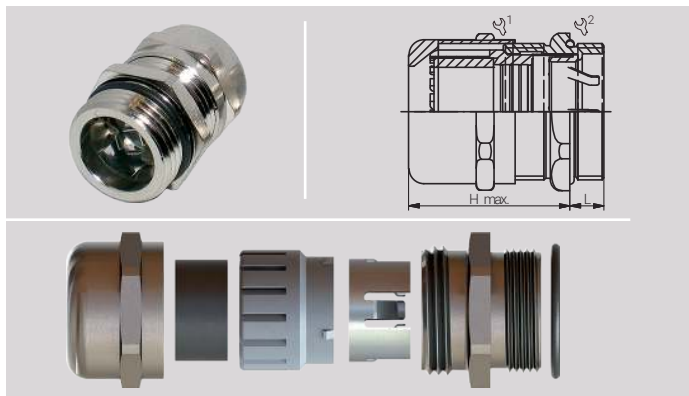
1111798	M12x1.5	3.0	6.5	2.5	4.5	14/14	6.0	22.0	50
1111799	M16x1.5	5.0	10.0	4.0	8.0	20/20	7.0	29.0	50
1111800	M20x1.5	6.0	12.0	5.0	10.0	22/22	8.0	27.5	50
1111801	M25x1.5	11.0	17.0	9.5	15.0	27/27	8.0	30.7	25
1111802	M32x1.5	15.0	21.0	13.5	19.0	34/34	8.0	38.0	10
1111803	M40x1.5	19.0	28.0	17.0	25.0	43/43	9.0	43.0	5
1111804	M50x1.5	27.0	38.0	25.0	32.0	58/58	9.0	54.5	5
1111805	M63x1.5	34.0	44.0	31.0	41.0	64/68	14.0	57.0	5

Long Thread

	M12x1.5	3.0	6.5	2.5	4.5	14/14	12.0	22.0	50
	M16x1.5	5.0	10.0	4.0	8.0	20/20	12.0	29.0	50
	M20x1.5	6.0	12.0	5.0	10.0	22/22	12.0	27.5	50
	M25x1.5	11.0	17.0	9.5	15.0	27/27	15.0	30.7	25
	M32x1.5	15.0	21.0	13.5	19.0	34/34	15.0	38.0	10
	M40x1.5	19.0	28.0	17.0	25.0	43/43	15.0	43.0	10
	M50x1.5	27.0	38.0	25.0	32.0	58/58	15.0	54.5	5
	M63x1.5	34.0	44.0	31.0	41.0	64/68	18.0	57.0	5

EURO-TOP EMV 2 / M

Material	Nickel Plated Brass
Sealing	Chloroprene
Clamping Insert	Polyamide 6
O-Ring	Perbunan
Operating Temperature	-40°C to +100°C intermittent -40°C to +150°C
Protection Class	IP66 / IP68 / IP69
Note	EMC cable gland with patented contact system. Very easy and fast to assemble.



Approvals



Article	Entry Thread	Clamping Range (mm)		Shield Diameter (mm)		$\frac{1}{2}$	L (mm)	H max. (mm)	VPE PU
		≥	≤	≥	≤				

Standard Thread

1111806	M16x1.5	4.0	8.0	3.5	6.0	17/18	7.0	23.0	50
1111807	M20x1.5	6.0	12.0	5.0	10.0	22/22	8.0	24.5	50
1111808	M25x1.5	10.0	14.0	8.5	11.5	24/27	8.0	28.0	25
1111809	M32x1.5	13.0	18.0	11.0	14.0	30/34	9.0	32.5	25
1111810	M40x1.5	18.0	25.0	16.0	20.0	40/43	9.0	38.0	10
1111811	M50x1.5	22.0	32.0	20.0	27.0	50/55	9.0	48.0	5
1111812	M63x1.5	34.0	44.0	31.0	40.0	64/68	14.0	53.0	5

Long Thread

	M16x1.5	4.0	8.0	3.5	6.0	17/18	12.0	23.0	50
	M20x1.5	6.0	12.0	5.0	10.0	22/22	12.0	24.5	50
	M25x1.5	10.0	14.0	8.5	11.5	24/27	12.0	28.0	25
	M32x1.5	13.0	18.0	11.0	14.0	30/34	15.0	32.5	25
	M40x1.5	18.0	25.0	16.0	20.0	40/43	15.0	38.0	20
	M50x1.5	22.0	32.0	20.0	27.0	50/55	15.0	48.0	15
	M63x1.5	34.0	44.0	31.0	40.0	64/68	18.0	53.0	12